



**Protective diaphragm for MFD-80-B, increases the housing's protection type to NEMA 4x, transparent**

**Part no. MFD-XM-80**  
**Catalog No. 265258**

### Delivery program

|               |  |  |
|---------------|--|--|
| Product range |  | Multi-function-display MFD-Titan   |
| Accessories   |  | Protective diaphragm   |
| Description   |  | Transparent version for harsh environmental conditions and application in the food industry<br>For increasing the degree of protection to NEMA 4X for MFD-80-B |
| For use with  |  | MFD-80...  |

**Information relevant for export to North America**

Product Standards IEC/EN see Technical Data; UL 508; CSA C22.2 No. 142-M1987; CSA C22.2 No. 213-M1987; CE marking

UL File No. E135462

UL Category Control No. NRAQ

CSA File No. 012528

CSA Class No. 2252-01 + 2258-02

North America Certification UL listed, CSA certified

Degree of Protection IEC: IP65, UL/CSA Type 4X

### Design verification as per IEC/EN 61439

| Technical data for design verification   |            |    |     |
|--|------------|----|-----|
| Rated operational current for specified heat dissipation   | $I_n$      | A  | 0   |
| Heat dissipation per pole, current-dependent   | $P_{vid}$  | W  | 0   |
| Equipment heat dissipation, current-dependent  | $P_{vid}$  | W  | 0   |
| Static heat dissipation, non-current-dependent   | $P_{vs}$   | W  | 0   |
| Heat dissipation capacity  | $P_{diss}$ | W  | 0   |
| Operating ambient temperature min.   |            | °C | -25 |
| Operating ambient temperature max.   |            | °C | 55  |
| IEC/EN 61439 design verification   |            |    |     |
| 10.2 Strength of materials and parts   |            |    |     |
| 10.2.2 Corrosion resistance  |            |    |     |
| 10.2.2.1 Verification of thermal stability of enclosures   |            |    |     |
| 10.2.2.2 Verification of resistance of insulating materials to normal heat   |            |    |     |
| 10.2.2.3 Verification of resistance of insulating materials to abnormal heat and fire due to internal electric effects |            |    |     |
| 10.2.4 Resistance to ultra-violet (UV) radiation   |            |    |     |
| 10.2.5 Lifting   |            |    |     |
| 10.2.6 Mechanical impact   |            |    |     |
| 10.2.7 Inscriptions  |            |    |     |
| 10.3 Degree of protection of ASSEMBLIES  |            |    |     |
| 10.4 Clearances and creepage distances   |            |    |     |
| 10.5 Protection against electric shock   |            |    |     |
| 10.6 Incorporation of switching devices and components   |            |    |     |
| 10.7 Internal electrical circuits and connections  |            |    |     |
| 10.8 Connections for external conductors   |            |    |     |
| 10.9 Insulation properties   |            |    |     |
| 10.9.2 Power-frequency electric strength   |            |    |     |
| 10.9.3 Impulse withstand voltage   |            |    |     |
| 10.9.4 Testing of enclosures made of insulating material   |            |    |     |
| 10.10 Temperature rise   |            |    |     |

|                                     |  |  |
|-------------------------------------|--|--|
| 10.11 Short-circuit rating          |  | Is the panel builder's responsibility.   |
| 10.12 Electromagnetic compatibility |  | Is the panel builder's responsibility.   |
| 10.13 Mechanical function           |  | The device meets the requirements, provided the information in the instruction leaflet (IL) is observed. |

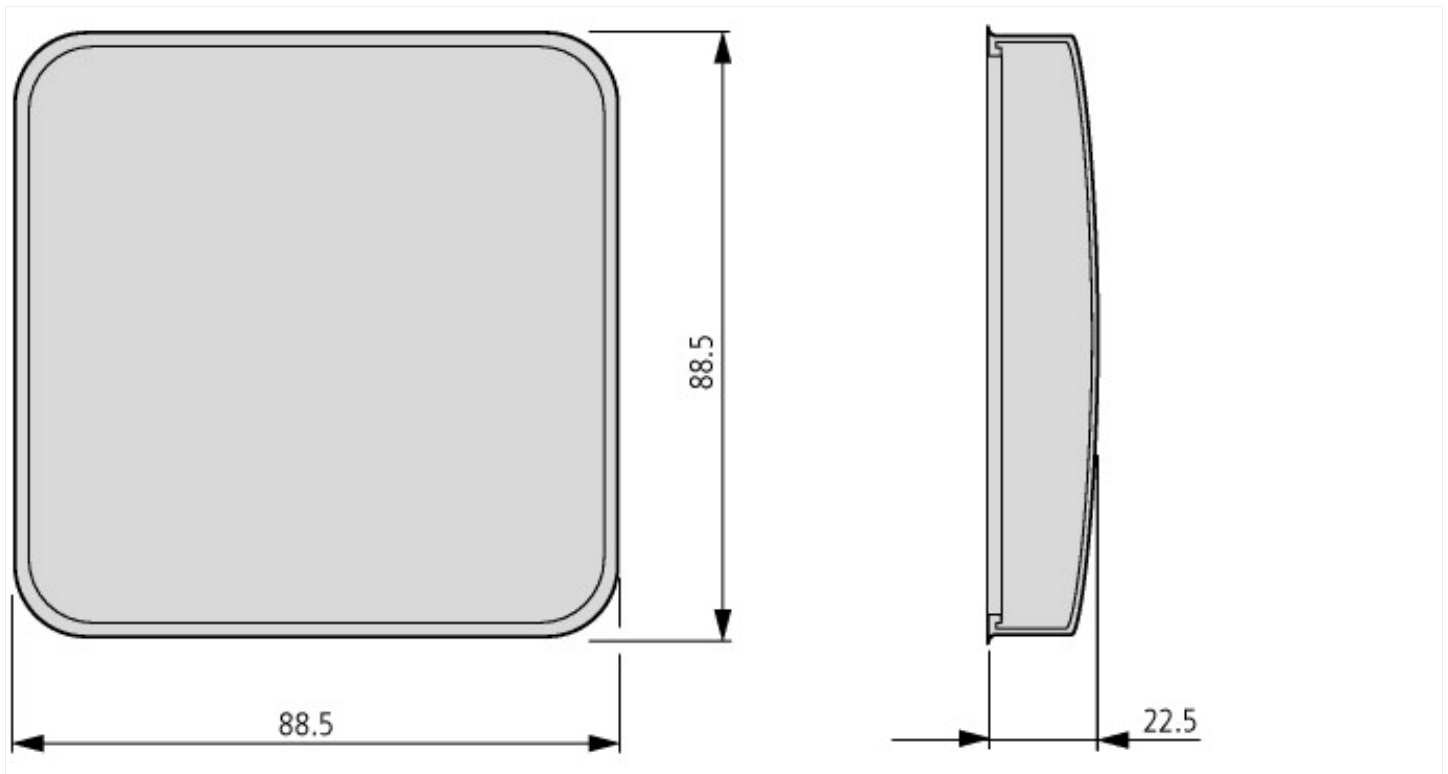
## Technical data ETIM 6.0

|  |  |       |
|--|--|-------|
| PLC's (EG000024) / Accessories for controls (EC002584)   |  |       |
| Electric engineering, automation, process control engineering / Control / Control (accessories) / Control (accessories, unspecified) (ecl@ss8.1-27-24-92-90 [AKN560011]) |  |       |
| Type of electrical accessory   |  | Other |
| Type of mechanical accessory   |  | Cover |
| Type of documentation  |  | Other |

## Approvals

|                             |  |   |
|-----------------------------|--|---|
| Product Standards           |  | IEC/EN see Technical Data; UL 508; CSA C22.2 No. 142-M1987; CSA C22.2 No. 213-M1987; CE marking |
| UL File No.                 |  | E135462   |
| UL Category Control No.     |  | NRAQ  |
| CSA File No.                |  | 012528  |
| CSA Class No.               |  | 2252-01 + 2258-02   |
| North America Certification |  | UL listed, CSA certified  |
| Degree of Protection        |  | IEC: IP65, UL/CSA Type 4X   |

## Dimensions



## Additional product information (links)

|                        |   |
|------------------------|---|
| Product overview (WEB) | <a href="http://www.eaton.eu/easy">http://www.eaton.eu/easy</a> |
|------------------------|---|