

Part no. IZM32B4-A16W  
 Catalog No. 123757

### Delivery program

|  |                          |    |  |
|--|--------------------------|----|--|
| Product range  |                          |    | Air circuit-breakers/switch-disconnectors                      |
| Product range  |                          |    | Open circuit-breakers  |
| Current Range  |                          |    | 4000 to 6300 A   |
| Protective function  |                          |    | System protection  |
| Installation type  |                          |    | Withdrawable   |
| Construction size  |                          |    | IZM32  |
| Standard/Approval  |                          |    | IEC  |
| Number of poles  |                          |    | 4 pole   |
| Degree of Protection   |                          |    | IP20, IP55 with protective cover, IP41 with door sealing frame |
| Rated current = rated uninterrupted current                          | $I_n = I_u$              | A  | 1600   |
| Rated ultimate short-circuit breaking capacity up to 440V/690V 42/42 | $I_{cu}$                 | kA | 65   |
| Rated service short-circuit breaking capacity up to 440V/690V 42/42  | $I_{cs}$                 | kA | 65   |
| Overload release, min.   | $I_r$                    | A  | 640  |
| Overload release, max.   | $I_r$                    | A  | 1600   |
| Non-delayed  | $I_j = I_n \times \dots$ |    | 2 - 10   |

**Notes**

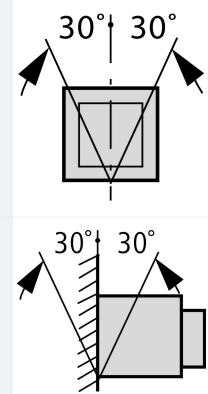
Including rear connection main terminals and secondary terminal blocks according to ordered breaker options.

Note concerning the product

Cassette needs to be ordered separately.

### Technical data

#### General

|                              |   |    |  |
|------------------------------|---|----|--|
| Standards                    |   |    | IEC/EN 60947   |
| Ambient temperature          |   |    |  |
| Storage                      | θ | °C | -25 - +70 (device with LCD-display -20 - +70)  |
| Operating (open)             |   | °C | -25 - +70 (device with LCD-display -20 - +70)  |
| Mounting position            |   |    |  |
| Utilization category         |   |    | B  |
| Degree of Protection         |   |    | IP20, IP55 with protective cover, IP41 with door sealing frame                       |
| Direction of incoming supply |   |    | as required  |

#### Main conducting paths

|   |             |   |      |
|---|-------------|---|------|
| Rated current = rated uninterrupted current | $I_n = I_u$ | A | 1600 |
| Rated uninterrupted current at 50 °C        | $I_u$       | A | 1600 |
| Rated uninterrupted current at 60 °C        | $I_u$       | A | 1600 |
| Rated uninterrupted current at 70 °C        | $I_u$       | A | 1600 |

|   |           |      |       |
|---|-----------|------|-------|
| Rated impulse withstand voltage                       | $U_{imp}$ | V AC | 8000  |
| Rated operational voltage                             | $U_e$     | V AC | 690   |
| Use in IT electrical power networks up to $U = 440$ V | $I_{IT}$  | kA   | 23    |
| Overvoltage category/pollution degree                 |           |      | III/3 |
| Rated insulation voltage                              | $U_i$     | V    | 1000  |

### Switching capacity

|   |              |    |       |
|---|--------------|----|-------|
| Rated short-circuit making capacity   | $I_{cm}$     |    |       |
| up to 440 V 50/60 Hz  | $I_{cm}$     | kA | 136   |
| up to 690 V 50/60 Hz  | $I_{cm}$     | kA | 137   |
| Rated short-time withstand current 50/60 Hz   |              |    |       |
| $t = 1$ s   | $I_{cw}$     | kA | 65    |
| Rated short-circuit breaking capacity $I_{cn}$  | $I_{cn}$     |    |       |
| IEC/EN 60947 operating sequence $I_{cu}$ 0-t-CO   |              |    |       |
| up to 240 V 50/60 Hz  | $I_{cu}$     | kA | 65    |
| up to 440 V 50/60 Hz  | $I_{cu}$     | kA | 65    |
| up to 690 V 50/60 Hz  | $I_{cu}$     | kA | 65    |
| IEC/EN 60947 operating sequence $I_{cs}$ 0-t-CO-t-CO                                    |              |    |       |
| up to 240 V 50/60 Hz  | $I_{cs}$     | kA | 65    |
| up to 440 V 50/60 Hz  | $I_{cs}$     | kA | 65    |
| up to 690 V 50/60 Hz  | $I_{cs}$     | kA | 65    |
| Operating times   |              |    |       |
| Closing delay via spring release  |              | ms | 30    |
| Break times   |              | ms | 40    |
| Total opening delay via shunt release   |              | ms | 35    |
| Total opening delay via undervoltage release  |              | ms | 35/70 |
| Total opening delay on non-delayed short-circuit release (up to complete arc quenching) |              | ms | 35    |
| Maximum operating frequency   | Operations/h |    | 60    |
| Heat dissipation at rated current $I_n$   |              |    |       |
| Fixed mounting  |              | W  | 150   |
| Withdrawable units (switch with cassette)   |              | W  | 330   |

### Weight

|                |  |    |    |
|----------------|--|----|----|
| Fixed mounting |  |    |    |
| 3-pole         |  | kg | 58 |
| 4-pole         |  | kg | 72 |
| Withdrawable   |  |    |    |
| 3-pole         |  | kg | 70 |
| 4-pole         |  | kg | 88 |
| Cassette       |  |    |    |
| 3 pole         |  | kg | 34 |
| 4 pole         |  | kg | 38 |

### Terminal capacities

|  |  |    |  |
|--|--|----|--|
| Copper bar                             |  |    |  |
| Fixed mounting                         |  |    |  |
| Black                                  |  | mm | 2 x 5 x 100  |
| Withdrawable units                     |  |    |  |
| Black                                  |  | mm | 2 x 5 x 100  |
| Other technical data (sheet catalogue) |  |    | Permissible continuous current for circuit-breakers operating in switchboards at various internal ambient temperatures. The switchboard's internal ambient temperature should be estimated using the calculation methods of IEC regulation.<br>Tripping characteristics for selective protection<br>Notes - tripping characteristics |

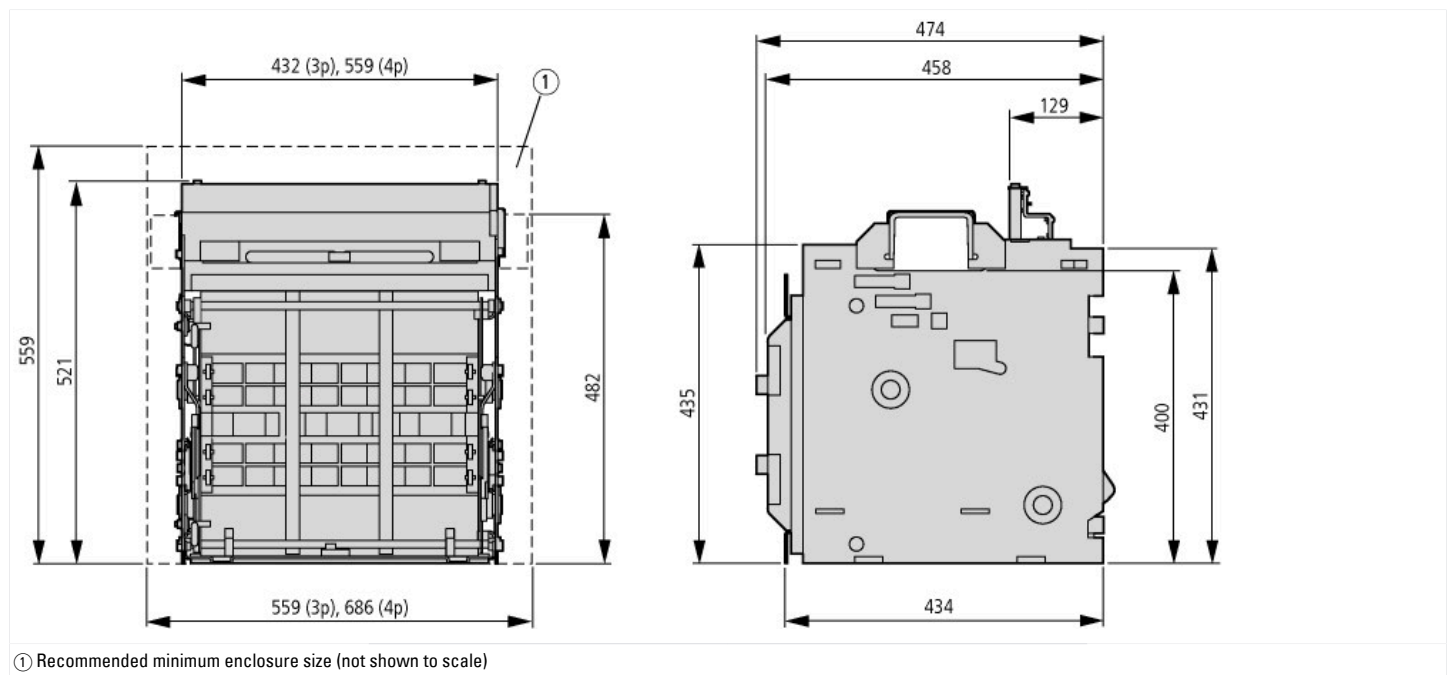
### Design verification as per IEC/EN 61439

|  |  |    |     |
|--|--|----|-----|
| Technical data for design verification |  |    |     |
| Operating ambient temperature min.     |  | °C | -25 |

## Technical data ETIM 4.0

|   |    |                                    |
|---|----|------------------------------------|
| Rated permanent current I <sub>u</sub>                                | A  | 1600                               |
| Rated short-circuit breaking capacity I <sub>cu</sub> at 400 V, 50 Hz | kA | 65                                 |
| Setting range overload protector                                      | A  | 640 - 1600                         |
| Adjustment range short-term delayed short-circuit release             | A  | 0 - 0                              |
| Adjustment range undelayed short-circuit release                      | A  | 3200 - 16000                       |
| Integrated earth fault protection                                     |    | No                                 |
| Connection type main current circuit                                  |    | Rail connection                    |
| Device construction   |    | Built-in device slide-in technique |
| Suitable for DIN rail (top hat rail) mounting                         |    | No                                 |
| Number of auxiliary contacts as normally closed contact               |    | 2                                  |
| Number of auxiliary contacts as normally open contact                 |    | 2                                  |
| Number of auxiliary contacts as change-over contact                   |    | 0                                  |
| Switched-off indicator available                                      |    | Yes                                |
| With under voltage release  |    | No                                 |
| Number of poles   |    | 4                                  |
| Position of connection for main current circuit                       |    | Back connection                    |
| Type of control element   |    | Push button                        |
| Motor drive optional  |    | Yes                                |
| Motor drive integrated  |    | No                                 |
| Degree of protection (IP)   |    | IP20                               |

## Dimensions



## Additional product information (links)

Tripping characteristics for selective protection

<http://ecat.moeller.net/flip-cat/?edition=HPLEN&startpage=18.78>

Notes - tripping characteristics

<http://ecat.moeller.net/flip-cat/?edition=HPLEN&startpage=18.88>