

Main switch, P3, 100 A, surface mounting, 3 pole + N, STOP function, With black rotary handle and locking ring, Lockable in the 0 (Off) position, in steel enclosure

Referencia P3-100/SE3/SVB-SW/N
Catalog No. 197375

Delivery program

Product range			Main switch maintenance switch
Part group reference			P3
Stop Function			STOP function With black rotary handle and locking ring
Information about equipment supplied			auxiliary contact fitted by user.
Notes			in steel enclosure
Number of poles			3 pole + N
Auxiliary contacts			
		N/O	0
		N/C	0
Locking facility			Lockable in the 0 (Off) position
Degree of Protection			IP65
Design			totally insulated surface mounting
Contact sequence			 1 0 1 0 1 0 1 0 1 0 1 0 0 1 0 0 1 0 1 0 1 0 1 0
Switching angle		°	90
Function			
Motor rating AC-23A, 50 - 60 Hz			
400 V	P	kW	55
Rated uninterrupted current	I _u	A	100
Note on rated uninterrupted current I _u			Rated uninterrupted current I _u is specified for max. cross-section.

Technical data

General			
Standards			IEC/EN 60947, VDE 0660, IEC/EN 60204 Switch disconnector in accordance with IEC/EN 60947-3
Ambient temperature			

Enclosed		°C	-25 - +40
Overtoltage category/pollution degree			III/3
Rated impulse withstand voltage	U_{imp}	V AC	6000
Mechanical shock resistance		g	15
Mounting position			As required

Contacts

Mechanical variables			
Number of poles			3 pole + N
Auxiliary contacts			
		N/O	0
		N/C	0
Electrical characteristics			
Rated operational voltage	U_e	V AC	690
Rated uninterrupted current	I_u	A	100
Note on rated uninterrupted current I_u			Rated uninterrupted current I_u is specified for max. cross-section.
Load rating with intermittent operation, class 12			
AB 25 % DF		x I_e	2
AB 40 % DF		x I_e	1.6
AB 60 % DF		x I_e	1.3
Short-circuit rating			
Fuse		A gG/gL	100
Rated short-time withstand current (1 s current)	I_{cw}	A_{rms}	2000
Note on rated short-time withstand current I_{cw}			Current for a time of 1 second
Rated conditional short-circuit current	I_q	kA	4 (Load side) 80 (Supply side)

Switching capacity

cos ϕ rated making capacity as per IEC 60947-3		A	950
Rated breaking capacity cos ϕ to IEC 60947-3		A	
230 V		A	760
400/415 V		A	740
500 V		A	880
690 V		A	520
Safe isolation to EN 61140			
between the contacts		V AC	440
Current heat loss per contact at I_e		W	7.5
Lifespan, mechanical	Operations	x 10^6	> 0.1
Maximum operating frequency	Operations/h		1200
AC			
AC-3			
Rating, motor load switch	P	kW	
220 V 230 V	P	kW	22
400 V 415 V	P	kW	37
500 V	P	kW	45
690 V	P	kW	37
Rated operational current motor load switch			
230 V	I_e	A	71
400V 415 V	I_e	A	71
500 V	I_e	A	65
690 V	I_e	A	23.8
AC-23A			
Motor rating AC-23A, 50 - 60 Hz	P	kW	
230 V	P	kW	30
400 V 415 V	P	kW	55
500 V	P	kW	55
690 V	P	kW	55

Rated operational current motor load switch			
230 V	I _e	A	100
400 V 415 V	I _e	A	100
500 V	I _e	A	96
690 V	I _e	A	68
DC			
DC-1, Load-break switches L/R = 1 ms			
Rated operational current	I _e	A	100
Voltage per contact pair in series		V	60
DC-23A, motor load switch L/R = 15 ms			
24 V			
Rated operational current	I _e	A	50
Contacts		Quantity	1
48 V			
Rated operational current	I _e	A	50
Contacts		Quantity	2
60 V			
Rated operational current	I _e	A	50
Contacts		Quantity	2
120 V			
Rated operational current	I _e	A	25
Contacts		Quantity	3
Control circuit reliability at 24 V DC, 10 mA	Fault probability	H _F	< 10 ⁻⁵ , < 1 failure in 100,000 switching operations

Terminal capacities

Solid or stranded		mm ²	1 x (2,5 - 35) 2 x (2,5 - 10)
Flexible with ferrules to DIN 46228		mm ²	1 x (1.5 - 25) 2 x (1.5 - 6)
Tightening torque for terminal screw		Nm	3

Technical safety parameters:

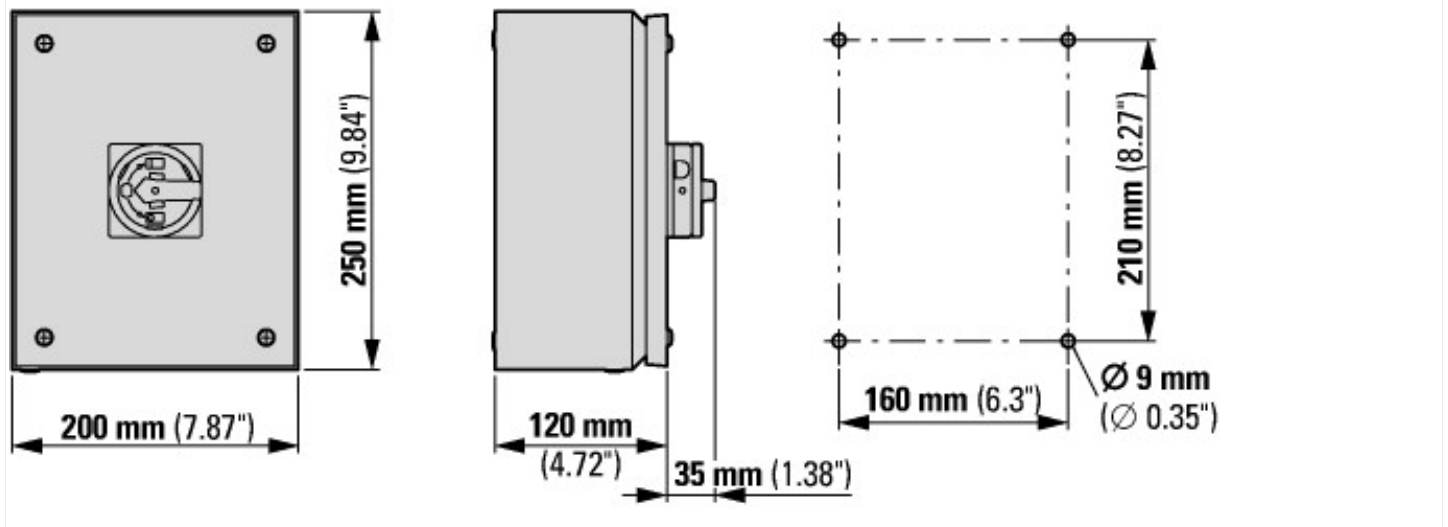
Notes			B10 _q values as per EN ISO 13849-1, table C1
--------------	--	--	---

Technical data ETIM 7.0

Conmutadores en baja tensión (EG000017) / Disyuntor (EC000216)			
Tecnología electrónica, de automatización y de mando de procesos / Tecnología de conmutación de baja tensión / Conmutador de carga, seccionador de ruptura de carga, conmutador de control / Seccionador de ruptura de carga compacto (ecl@ss10.0.1-27-37-14-03 [AKF060013])			
Versión de interruptor principal			No
Versión de interruptor de mantenimiento/servicio			Sí
Versión de interruptor de seguridad			No
Versión de instalación de parada de emergencia			No
Número de conmutadores			1
Tensión de funcionamiento nominal máxima U _e CA		Volt	690
Tensión de funcionamiento nominal		Volt	690 - 690
Intensidad permanente nominal I _u		Ampere	100
Potencia de funcionamiento nominal en CA-3, 400 V		Kilowatt	37
Corriente no disruptiva de corta duración nominal I _{cw}		kiloamper	2
Potencia de funcionamiento nominal a CA-23, 400 V		Kilowatt	55
Intensidad nominal condicionado de cortocircuito I _q		kiloamper	4
Número de polos			4
Número de contactos auxiliares como contacto normalmente cerrado			0
Número de contactos auxiliares como contacto normalmente abierto			0
Número de contactos auxiliares como contacto de intercambio			0
Accionamiento por motor opcional			No
Accionamiento por motor integrado			No
Liberación de tensión opcional			No

Construcción de dispositivo		Dispositivo completo en carcasa
Compatible para montaje en suelo		Sí
Compatible para montaje frontal		No
Compatible para centro de montaje frontal		No
Compatible para instalación de panel de distribución		No
Compatible para montaje intermedio		No
Elemento de control de color		Negro
Tipo de elemento de control		Dispositivo giratorio de acoplamiento a la puerta
Con capacidad de interbloqueo		Sí
Tipo de conexión del circuito de corriente principal		Conexión enroscada
Grado de protección (IP), lado delantero		IP65

Dimensions



Additional product information (links)

Switch disconnecter in steal enclosure	
Switch disconnecter in steal enclosure	https://es-assets.eaton.com/DOCUMENTATION/AWA_INSTRUCTIONS/IL008056ZU2021_07.pdf
Technical overview cam switch, switch-disconnector	http://de.ecat.moeller.net/flip-cat/?edition=HPLTEv1&startpage=4.2
System overview cam switch T	http://de.ecat.moeller.net/flip-cat/?edition=HPLTEv1&startpage=4.4
System overview switch-disconnector P	http://de.ecat.moeller.net/flip-cat/?edition=HPLTEv1&startpage=4.6
Key to part numbers Cam switch	http://de.ecat.moeller.net/flip-cat/?edition=HPLTEv1&startpage=4.8
Key to part numbers Switch-disconnector	http://de.ecat.moeller.net/flip-cat/?edition=HPLTEv1&startpage=4.8
Switches for ATEX	http://www.coopercrouse-hinds.eu/en/products/25-ex-safety-and-main-current-switches.html