



Cable gland, M32, RAL 7035, IP68

Part no. V-M32
Catalog No. 206912
Alternate Catalog No. XTPAXMCG32
EL-Nummer (Norway) 1782277

Delivery program

Product range			General switchboard accessories
Accessories			Cable management
Cable entry			M32
Hole diameter		mm	32,5
Outer cable diameter		mm	13 - 21
Example of application: NYM/NYY cable, 4-core		mm ²	NYM 5 x 10
Description			Flammability classification V2 according to UL94 With lock nut and built-in strain relief
Material			Polyamide Halogen free
Surface finish			RAL 7035
Information about equipment supplied			With lock nut and built-in strain relief
Degree of Protection			IP68 up to 5 bar (30 min)

Technical data

General

Overvoltage category/pollution degree			III/3
Degree of Protection			IP68 up to 5 bar (30 min)

Contacts

Overvoltage category/pollution degree			III/3
---------------------------------------	--	--	-------

Material characteristics

Material			Polyamide Halogen free
Colour			Gray, RAL 7035
Temperature resistant			-20 °C - 100 °C, short-time up to approx. 120 °C
Chemical resistant			Resistant against : Acetone, petrol, paraffin, diesel, grease, oil, solvent for paints and varnishes
Danger of stress fracture			low
Flame retardant			Glow wire test 750 °C according to EN 60695-2-11
Flammability classification according to UL94			V2

Mechanical variables

Overvoltage category/pollution degree			III/3
---------------------------------------	--	--	-------

Technical data ETIM 7.0

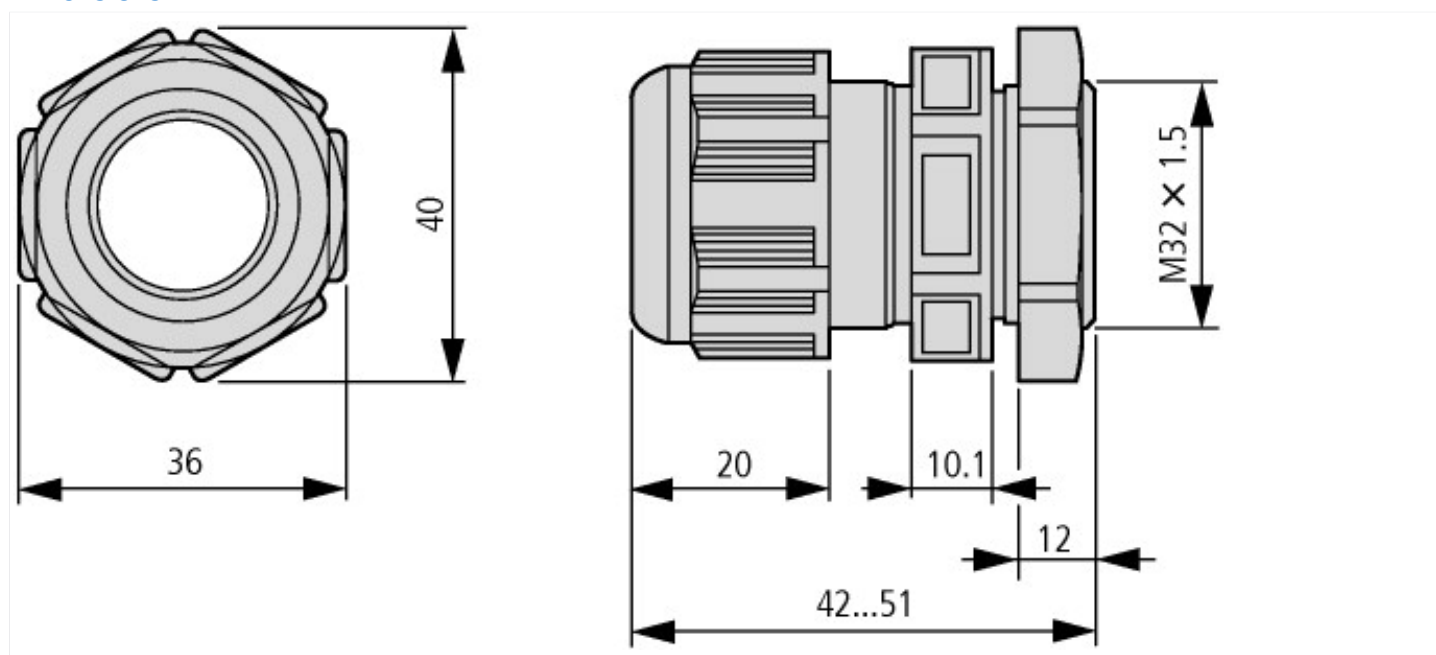
Cable and wire entry systems (EG000009) / Cable gland (EC000441)			
Electric engineering, automation, process control engineering / Electrical installation, device / Connection devices / Screwed cable gland (electr.) (ecl@ss10.0.1-27-14-44-32 [AFR797003])			
Thread type			Metric
Nominal thread size metric/PG			32
Nominal thread size inch/gas pipe thread			Other
Pitch thread		mm	1.5
Thread length		mm	12
Wrench width		mm	50
Hexagon angular dimension		mm	0
Suitable for cable diameter		mm	13 - 21
Material			Plastic
Material quality			Polyamide (PA)
Surface protection			Untreated
Halogen free			Yes

Glass-fibre reinforced		No
Degree of protection (IP)		IP68
Shock resistant		Yes
Colour		Light grey
RAL-number		7035
Bend radius protection/trumpet flare		No
With locknut		Yes
Snapping in opening		No
Model		Straight
Multi seal area		No
Flat cable coupling		No
With strain relief		Yes
Type of sealing		Cut-out ring
Separable screw gland		No
Working temperature	°C	-20 - 120
Explosion-tested version		No
For Ex-zone gas		None
For Ex-Zone dust		None
For armoured cable		No
EMC-version		No
Screened		No

Approvals

Specially designed for North America		No
--------------------------------------	--	----

Dimensions



Additional product information (links)

Motor starters and "Special Purpose Ratings" for the North American market	http://www.eaton.eu/ecm/groups/public/@pub/@europe/@electrical/documents/content/pct_3258146.pdf
Busbar Component Adapters for modern Industrial control panels	http://www.moeller.net/binary/ver_techpapers/ver960en.pdf