



System 55 group enclosure, empty

Part no. HT330-S64
Catalog No. 1966002
Alternate Catalog No. HT330-S64

Delivery program

| | | | |
|-------------------|--|----|--|
| Assortiment | | | Other enclosures |
| Subassortiment | | | Group cabinets empty |
| Beschrijving | | | Group cabinets with DIN profile(s), empty |
| Beschrijving | | | Cabinets with DIN profile(s) for rapid assembly of modular components Lid with clickable, robust mounting frame with integrated DIN profile (s) Integrated, divided pipe entry with 17 pipe entry openings diameter 16/19 mm Equipped with an earth rail Equipped with a plastic DIN profile |
| Series | | | Systeem 55 |
| Dimensions | | mm | 220 x 330 x 134 |

Technical data

General

| | | | |
|-----------------------|--|--|---|
| Standards | | | EN 62208 |
| Degree of protection | | | IP 3X (Degree of protection of housing/enclosure) |
| Standaard diepte kast | | | 95 |

Material characteristics

| | | | |
|----------|--|--|---|
| Material | | | Thermoplastic plastic |
| Color | | | Black RAL 9005 (bins and lid) Light gray RAL 7035 (mounting frame) |

Design verification as per IEC/EN 61439

| | | | |
|---|----------------|---|--|
| Technical data for design verification | | | |
| Heat dissipation, at an ambient temperature of 35°C, delta T: 20 degrees in top of the enclosure, calculated as per IEC 60890 | | | |
| Individual enclosure for wall mounting | P _V | W | 15.3 |
| Starting enclosure for wall mounting | P _V | W | 14 |
| Middle enclosure for wall mounting | P _V | W | 13 |
| Heat dissipation, at an ambient temperature of 35°C, delta T: 35 degrees in top of the enclosure, calculated as per IEC 60890 | | | |
| Individual enclosure for wall mounting | P _V | W | 24 |
| Starting enclosure for wall mounting | P _V | W | 23 |
| Middle enclosure for wall mounting | P _V | W | 21 |
| IEC/EN 61439 design verification | | | |
| 10.2 Strength of materials and parts | | | |
| 10.2.2 Corrosion resistance | | | Meets the product standard's requirements. |
| 10.2.3.1 Verification of thermal stability of enclosures | | | Meets the product standard's requirements. |
| 10.2.3.2 Verification of resistance of insulating materials to normal heat | | | Meets the product standard's requirements. |
| 10.2.3.3 Verification of resistance of insulating materials to abnormal heat and fire due to internal electric effects | | | 650 °C; meets the product standard's requirements. |
| 10.2.4 Resistance to ultra-violet (UV) radiation | | | Not relevant to indoor installations. |
| 10.2.5 Lifting | | | Does not apply to enclosures without lifting aids. |
| 10.2.6 Mechanical impact | | | IK05 |
| 10.2.7 Inscriptions | | | Meets the product standard's requirements. |
| 10.3 Degree of protection of ASSEMBLIES | | | IP3X |
| 10.4 Clearances and creepage distances | | | Is the panel builder's responsibility. |
| 10.5 Protection against electric shock | | | Does not apply to plastic enclosures. |
| 10.6 Incorporation of switching devices and components | | | Is the panel builder's responsibility. |
| 10.7 Internal electrical circuits and connections | | | Is the panel builder's responsibility. |

| | | | |
|--|--|--|--|
| 10.8 Connections for external conductors | | | Is the panel builder's responsibility. |
| 10.9 Insulation properties | | | |
| 10.9.2 Power-frequency electric strength | | | $U_i = 690 \text{ V AC}$ |
| 10.9.3 Impulse withstand voltage | | | 4 kV |
| 10.9.4 Testing of enclosures made of insulating material | | | Meets the product standard's requirements. |
| 10.10 Temperature rise | | | The panel builder is responsible for the temperature rise calculation. Eaton will provide heat dissipation data for the devices. |
| 10.11 Short-circuit rating | | | Is the panel builder's responsibility. |
| 10.12 Electromagnetic compatibility | | | Is the panel builder's responsibility. |
| 10.13 Mechanical function | | | Meets the product standard's requirements. |

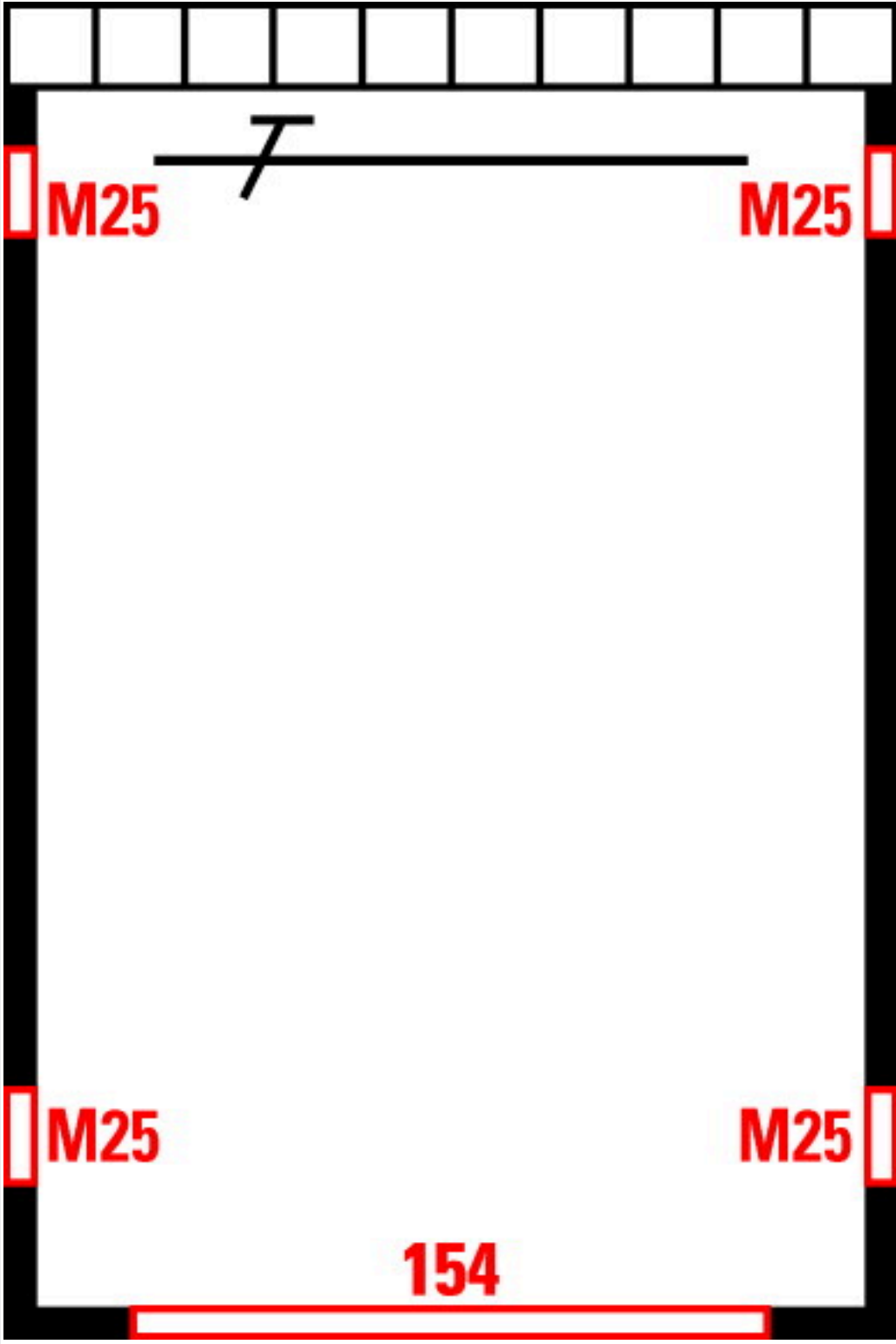
Technical data ETIM 6.0

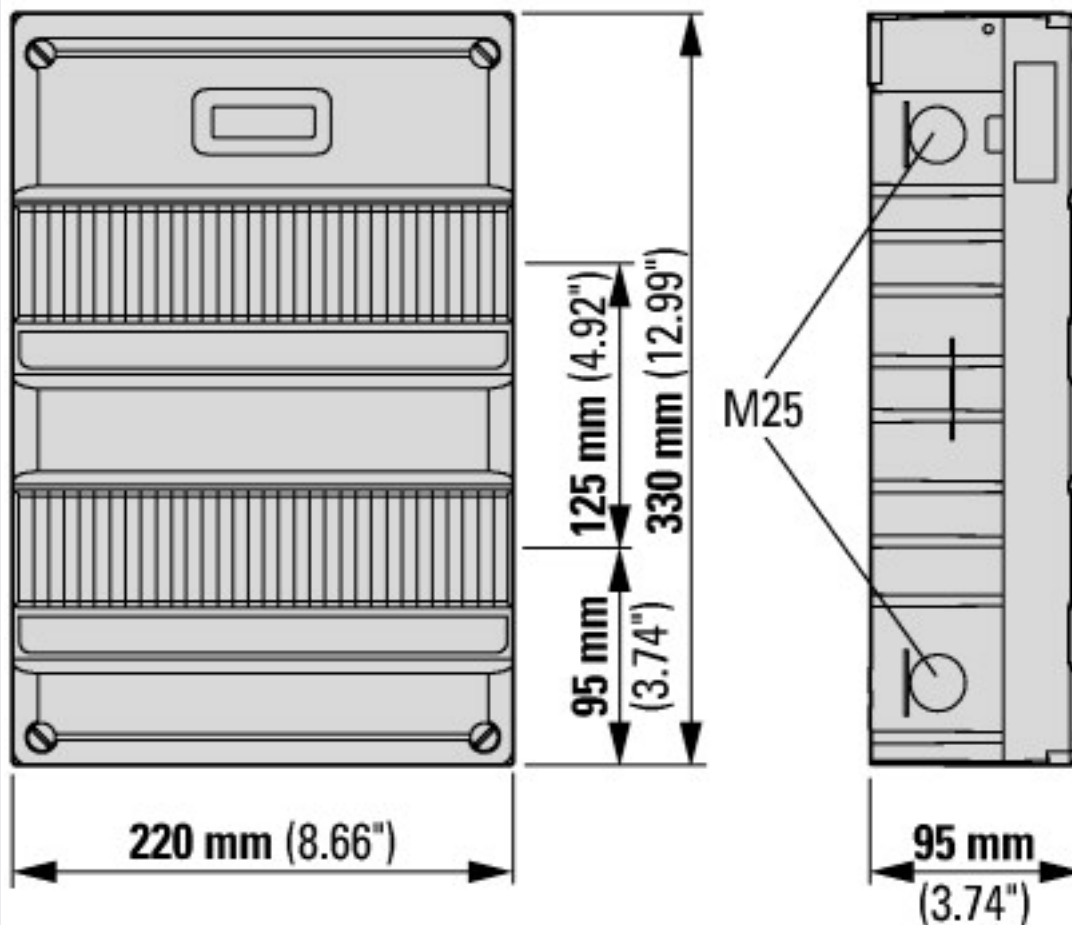
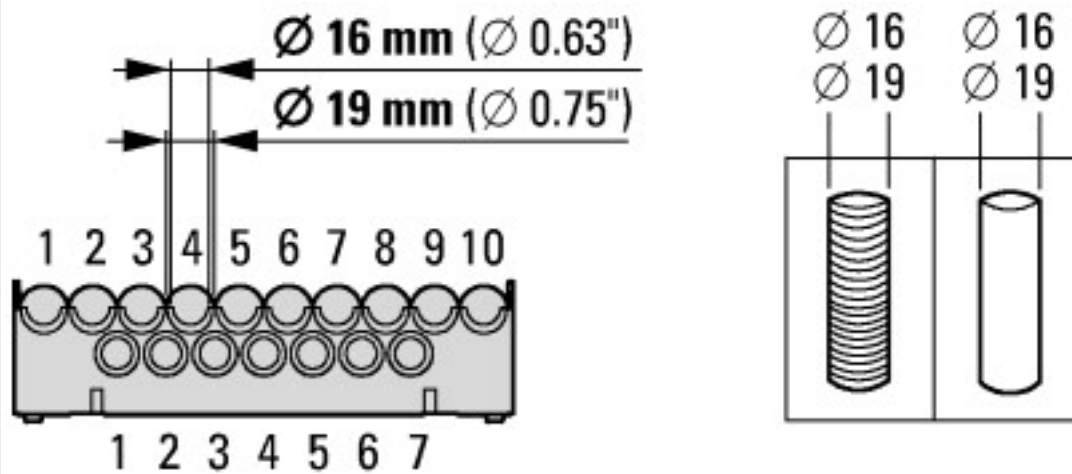
Distribution boards (EG000023) / Small distribution board (EC000214)

Electric engineering, automation, process control engineering / Electrical installation, device / Electrical distribution system (incl. small distribution board) / Small distribution board (ec1@ss8.1-27-14-24-09 [ACN387008])

| | | | |
|-------------------------------------|--|----|------------------|
| Mounting method | | | Surface mounting |
| Number of rows | | | 2 |
| Width in number of modular spacings | | | 214.5 |
| Type of cover | | | None |
| Cover model | | | With notch |
| Transparent cover/door | | | No |
| Material housing | | | Plastic |
| Height | | mm | 330 |
| Width | | mm | 220 |
| Depth | | mm | 95 |
| Built-in depth | | mm | 55 |
| Internal depth | | mm | 90 |
| DIN-rail | | | Yes |
| With mounting plate | | | No |
| Extension possible | | | Yes |
| EMC-version | | | No |
| Colour | | | Grey |
| RAL-number | | | 7016 |
| Degree of protection (IP) | | | IP3X |
| With lock | | | No |

Dimensions





Additional product information (links)

IL014053Z Systeem 55 groepenkasten

| | |
|--------------------------------------|---|
| IL014053Z Systeem 55 groepenkasten | https://es-assets.eaton.com/DOCUMENTATION/AWA_INSTRUCTIONS/IL014053ZU2018_09.pdf |
| nieuwe artikelnummers en typenummers | https://es-assets.eaton.com/DOCUMENTATION/PDF/NL/Conversielijst_Systeem55_oud_nieuw.pdf |
| Montage tips nieuwe groepenkast | https://es-assets.eaton.com/DOCUMENTATION/PDF/NL/Montage_tips_nieuwe_groepenkast_Systeem_55.pdf |