



**MB-Power-cable, IP67, 6 m, 4 pole, Prefabricated on one side with 7/8" right-angle socket**



**Part no. SWD4-6LR4P-R**  
**Catalog No. 183200**  
**Alternate Catalog No. SWD4-6LR4P-R**

Similar to illustration

## Delivery program

|  |  |   |   |
|--|--|---|---|
| Product range                                  |  |   | SmartWire-DT accessories  |
| Basic function                                 |  |   | Supply cable  |
| Function                                       |  |   | For directly connecting the power supply to EU6E., EU8E.. IP67 SmartWire-DT modules |
| Description                                    |  |   | 4 pole<br>Prefabricated on one side with 7/8" right-angle socket                    |
| Length   |  | m | 6   |
| Note regarding length                          |  |   | 1 off   |
| Connection to SmartWire-DT                     |  |   | yes   |
| Protection type (IEC/EN 60529, EN50178, VBG 4) |  |   | IP67  |

## Technical data

### Ambient conditions, mechanical

|  |  |  |      |
|--|--|--|------|
| Protection type (IEC/EN 60529, EN50178, VBG 4) |  |  | IP67 |
|--|--|--|------|

### Climatic environmental conditions

|   |  |    |             |
|---|--|----|-------------|
| Operating ambient temperature (IEC 60068-2) |  | °C |             |
| Operating ambient temperature max.          |  | °C | + 70        |
| Condensation                                |  |    | permissible |

## Design verification as per IEC/EN 61439

| Technical data for design verification   |                   |    |  |
|--|-------------------|----|--|
| Static heat dissipation, non-current-dependent   | P <sub>vs</sub>   | W  | 0  |
| Heat dissipation capacity  | P <sub>diss</sub> | W  | 0  |
| Operating ambient temperature min.   |                   | °C | -25  |
| Operating ambient temperature max.   |                   | °C | 70   |
| Degree of Protection   |                   |    | IP67   |
| IEC/EN 61439 design verification   |                   |    |  |
| 10.2 Strength of materials and parts   |                   |    |  |
| 10.2.2 Corrosion resistance  |                   |    |  |
|  |                   |    | Meets the product standard's requirements.                         |
| 10.2.3.1 Verification of thermal stability of enclosures   |                   |    |  |
|  |                   |    | Meets the product standard's requirements.                         |
| 10.2.3.2 Verification of resistance of insulating materials to normal heat   |                   |    |  |
|  |                   |    | Meets the product standard's requirements.                         |
| 10.2.3.3 Verification of resistance of insulating materials to abnormal heat and fire due to internal electric effects |                   |    |  |
|  |                   |    | Meets the product standard's requirements.                         |
| 10.2.4 Resistance to ultra-violet (UV) radiation   |                   |    |  |
|  |                   |    | Meets the product standard's requirements.                         |
| 10.2.5 Lifting   |                   |    |  |
|  |                   |    | Does not apply, since the entire switchgear needs to be evaluated. |
| 10.2.6 Mechanical impact   |                   |    |  |
|  |                   |    | Does not apply, since the entire switchgear needs to be evaluated. |
| 10.2.7 Inscriptions  |                   |    |  |
|  |                   |    | Meets the product standard's requirements.                         |
| 10.3 Degree of protection of ASSEMBLIES  |                   |    |  |
|  |                   |    | Meets the product standard's requirements.                         |
| 10.4 Clearances and creepage distances   |                   |    |  |
|  |                   |    | Meets the product standard's requirements.                         |
| 10.5 Protection against electric shock   |                   |    |  |
|  |                   |    | Does not apply, since the entire switchgear needs to be evaluated. |
| 10.6 Incorporation of switching devices and components   |                   |    |  |
|  |                   |    | Does not apply, since the entire switchgear needs to be evaluated. |
| 10.7 Internal electrical circuits and connections  |                   |    |  |
|  |                   |    | Is the panel builder's responsibility.                             |
| 10.8 Connections for external conductors   |                   |    |  |
|  |                   |    | Is the panel builder's responsibility.                             |
| 10.9 Insulation properties   |                   |    |  |
| 10.9.2 Power-frequency electric strength   |                   |    |  |
|  |                   |    | Is the panel builder's responsibility.                             |

|  |  |  |
|--|--|--|
| 10.9.3 Impulse withstand voltage                         |  | Is the panel builder's responsibility.   |
| 10.9.4 Testing of enclosures made of insulating material |  | Is the panel builder's responsibility.   |
| 10.10 Temperature rise                                   |  | The panel builder is responsible for the temperature rise calculation. Eaton will provide heat dissipation data for the devices. |
| 10.11 Short-circuit rating                               |  | Is the panel builder's responsibility.   |
| 10.12 Electromagnetic compatibility                      |  | Is the panel builder's responsibility.   |
| 10.13 Mechanical function                                |  | The device meets the requirements, provided the information in the instruction leaflet (IL) is observed.                         |

## Technical data ETIM 8.0

Cables (EG000001) / Data and communication cable (EC003249)

Electric engineering, automation, process control engineering / Cable, wire / Communication cable / Data and communication cable (copper) (ec@ss10.0.1-27-06-18-01 [AKE197014])

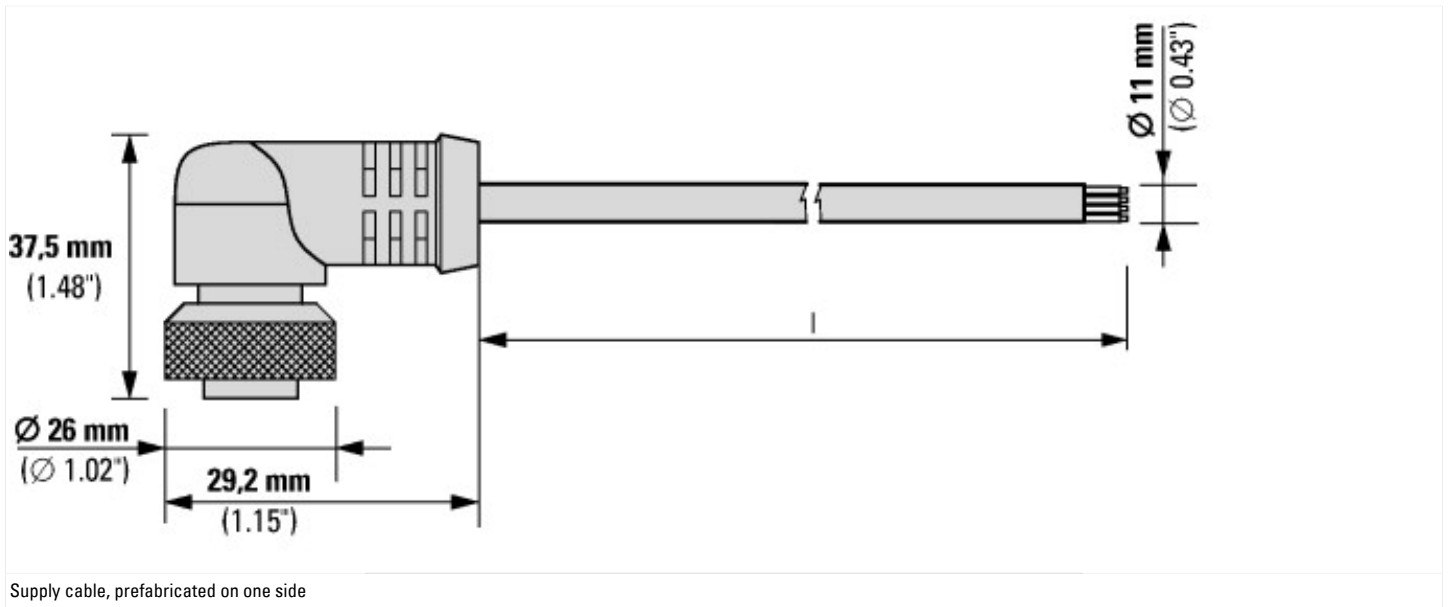
|  |                 |                               |
|--|-----------------|-------------------------------|
| Conductor material   |                 | Other                         |
| Conductor surface  |                 | Bare                          |
| Diameter conductor   | mm              | 1.5                           |
| Nominal cross section conductor  | mm <sup>2</sup> | 0.5                           |
| AWG size   |                 | 20                            |
| Conductor category   |                 | Class 2 = stranded            |
| Number of cores  |                 | 4                             |
| Number of stranding elements   |                 | 26                            |
| Stranding element  |                 | Pairs                         |
| Material core insulation   |                 | Other                         |
| Specification core insulation  |                 | Other                         |
| Core identification according to HD 308 S2                                   |                 |                               |
| Core identification  |                 | Colour                        |
| Screen over stranding element  |                 | Foil                          |
| Stranding  |                 | Bundle                        |
| Screen over stranding  |                 | None                          |
| Longitudinal water blocking cable  |                 | No                            |
| Radial water blocking cable  |                 | Yes                           |
| Suitable for underground installation  |                 | No                            |
| Approved type of underground installation                                    |                 | Other                         |
| Protective sheath  |                 | Other                         |
| Material outer sheath  |                 | Polyvinyl chloride (PVC)      |
| Specification material outer sheath  |                 | Polypropylene (PP)            |
| Colour outer sheath  |                 | Black                         |
| Armouring/reinforcement  |                 | None                          |
| Material reinforcement   |                 |                               |
| Cable geometry   |                 | Round                         |
| Reaction-to-fire class according to EN 13501-6                               |                 | None                          |
| Smoke development class according to EN 13501-6                              |                 | None                          |
| Euro class flaming droplets/particles according to EN 13501-6                |                 | None                          |
| Euro class acidity according to EN 13501-6                                   |                 | None                          |
| Halogen free (according to EN 60754-1/2)                                     |                 | No                            |
| Halogen free (according to IEC 60754-2)                                      |                 | No                            |
| Flame retardant  |                 | According to IEC/EN 60332-1-2 |
| Low smoke (according to EN 61034-2)  |                 | No                            |
| Low smoke (according to IEC 61034-2)   |                 | No                            |
| Oil resistant (according to EN 60811-404)                                    |                 | Yes                           |
| Oil resistant (according to IEC 60811-404)                                   |                 | Yes                           |
| Insulation integrity according to IEC 60331                                  |                 | No                            |
| Circuit integrity  |                 | None                          |
| Outer diameter approx.   | mm              | 11                            |
| Min. permitted bending radius, moving application with forced guidance       | mm              |                               |
| Min. permitted bending radius, moving application/free movement              | mm              |                               |
| Min. permitted bending radius, stationary application/permanent installation | mm              | 64                            |

|  |       |          |
|--|-------|----------|
| Permitted cable outer temperature during assembling/handling         | °C    | -25 - 70 |
| Permitted cable outer temperature after assembling without vibration | °C    | -25 - 70 |
| Category   |       | Other    |
| NVP value  | %     | 66.5     |
| UV resistant   |       | Yes      |
| Certified for shipboard application                                  |       | No       |
| Segregation class according to EN 50174-2                            |       |          |
| Suitable as telephone cable  |       | No       |
| Suitable as computer data cable                                      |       | No       |
| Suitable as signalling cable   |       | Yes      |
| Weight   | kg/km | 0.818    |
| Compatible with Grade2TV according to XP-C 90-483                    |       | No       |
| Compatible with Grade3TV according to XP-C 90-483                    |       | No       |

## Approvals

|                                      |  |                          |
|--------------------------------------|--|--------------------------|
| North America Certification          |  | UL listed, CSA certified |
| Specially designed for North America |  | No                       |

## Dimensions



## Additional product information (links)

|  |   |
|--|---|
| SmartWire-DT product range catalog                 | <a href="http://ecat.moeller.net/flip-cat/?edition=SWKAT&amp;startpage=Titel">http://ecat.moeller.net/flip-cat/?edition=SWKAT&amp;startpage=Titel</a> |
| f1=1457&f2=1181&f3=1530;Download Wizard SWD-ASSIST | <a href="http://applications.eaton.eu/sdlc?LX=11&amp;amp">http://applications.eaton.eu/sdlc?LX=11&amp;amp</a>   |
| Product overview (WEB)                             | <a href="http://www.eaton.eu/swd">http://www.eaton.eu/swd</a>   |