



MB-Power-cable, IP67, 4 m, 4 pole, Prefabricated on one side with 7/8" right-angle socket



Part no. SWD4-4LR4P-R
Catalog No. 183199
Alternate Catalog No. SWD4-4LR4P-R

Similar to illustration

Delivery program

Product range			SmartWire-DT accessories
Basic function			Supply cable
Function			For directly connecting the power supply to EU6E., EU8E.. IP67 SmartWire-DT modules
Description			4 pole Prefabricated on one side with 7/8" right-angle socket
Length		m	4
Note regarding length			1 off
Connection to SmartWire-DT			yes
Protection type (IEC/EN 60529, EN50178, VBG 4)			IP67

Technical data

Ambient conditions, mechanical

Protection type (IEC/EN 60529, EN50178, VBG 4)			IP67
--	--	--	------

Climatic environmental conditions

Operating ambient temperature (IEC 60068-2)		°C	
Operating ambient temperature max.		°C	+ 70
Condensation			permissible

Design verification as per IEC/EN 61439

Technical data for design verification			
Static heat dissipation, non-current-dependent	P _{vs}	W	0
Heat dissipation capacity	P _{diss}	W	0
Operating ambient temperature min.		°C	-25
Operating ambient temperature max.		°C	70
Degree of Protection			IP67
IEC/EN 61439 design verification			
10.2 Strength of materials and parts			
10.2.2 Corrosion resistance			
			Meets the product standard's requirements.
10.2.3.1 Verification of thermal stability of enclosures			
			Meets the product standard's requirements.
10.2.3.2 Verification of resistance of insulating materials to normal heat			
			Meets the product standard's requirements.
10.2.3.3 Verification of resistance of insulating materials to abnormal heat and fire due to internal electric effects			
			Meets the product standard's requirements.
10.2.4 Resistance to ultra-violet (UV) radiation			
			Meets the product standard's requirements.
10.2.5 Lifting			
			Does not apply, since the entire switchgear needs to be evaluated.
10.2.6 Mechanical impact			
			Does not apply, since the entire switchgear needs to be evaluated.
10.2.7 Inscriptions			
			Meets the product standard's requirements.
10.3 Degree of protection of ASSEMBLIES			
			Meets the product standard's requirements.
10.4 Clearances and creepage distances			
			Meets the product standard's requirements.
10.5 Protection against electric shock			
			Does not apply, since the entire switchgear needs to be evaluated.
10.6 Incorporation of switching devices and components			
			Does not apply, since the entire switchgear needs to be evaluated.
10.7 Internal electrical circuits and connections			
			Is the panel builder's responsibility.
10.8 Connections for external conductors			
			Is the panel builder's responsibility.
10.9 Insulation properties			
10.9.2 Power-frequency electric strength			
			Is the panel builder's responsibility.

10.9.3 Impulse withstand voltage		Is the panel builder's responsibility.
10.9.4 Testing of enclosures made of insulating material		Is the panel builder's responsibility.
10.10 Temperature rise		The panel builder is responsible for the temperature rise calculation. Eaton will provide heat dissipation data for the devices.
10.11 Short-circuit rating		Is the panel builder's responsibility.
10.12 Electromagnetic compatibility		Is the panel builder's responsibility.
10.13 Mechanical function		The device meets the requirements, provided the information in the instruction leaflet (IL) is observed.

Technical data ETIM 8.0

Cables (EG000001) / Data and communication cable (EC003249)

Electric engineering, automation, process control engineering / Cable, wire / Communication cable / Data and communication cable (copper) (ec1@ss10.0.1-27-06-18-01 [AKE197014])

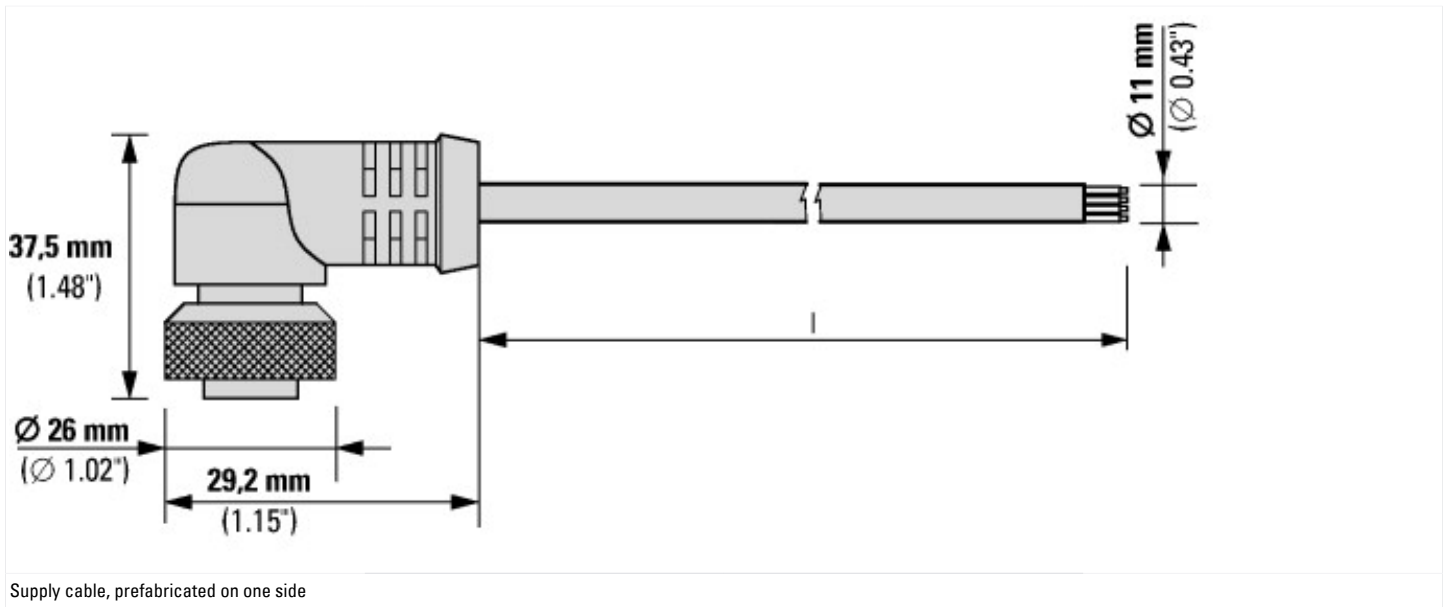
Conductor material		Other
Conductor surface		Bare
Diameter conductor	mm	1.5
Nominal cross section conductor	mm ²	0.5
AWG size		20
Conductor category		Class 2 = stranded
Number of cores		4
Number of stranding elements		26
Stranding element		Pairs
Material core insulation		Other
Specification core insulation		Other
Core identification according to HD 308 S2		
Core identification		Colour
Screen over stranding element		Foil
Stranding		Bundle
Screen over stranding		None
Longitudinal water blocking cable		Yes
Radial water blocking cable		Yes
Suitable for underground installation		No
Approved type of underground installation		Other
Protective sheath		Other
Material outer sheath		Polyvinyl chloride (PVC)
Specification material outer sheath		
Colour outer sheath		Black
Armouring/reinforcement		None
Material reinforcement		
Cable geometry		Round
Reaction-to-fire class according to EN 13501-6		None
Smoke development class according to EN 13501-6		None
Euro class flaming droplets/particles according to EN 13501-6		None
Euro class acidity according to EN 13501-6		None
Halogen free (according to EN 60754-1/2)		No
Halogen free (according to IEC 60754-2)		No
Flame retardant		According to IEC/EN 60332-1-2
Low smoke (according to EN 61034-2)		No
Low smoke (according to IEC 61034-2)		No
Oil resistant (according to EN 60811-404)		Yes
Oil resistant (according to IEC 60811-404)		Yes
Insulation integrity according to IEC 60331		No
Circuit integrity		None
Outer diameter approx.	mm	11
Min. permitted bending radius, moving application with forced guidance	mm	
Min. permitted bending radius, moving application/free movement	mm	
Min. permitted bending radius, stationary application/permanent installation	mm	64

Permitted cable outer temperature during assembling/handling	°C	-25 - 70
Permitted cable outer temperature after assembling without vibration	°C	-25 - 70
Category		Other
NVP value	%	66.5
UV resistant		No
Certified for shipboard application		No
Segregation class according to EN 50174-2		
Suitable as telephone cable		No
Suitable as computer data cable		No
Suitable as signalling cable		Yes
Weight	kg/km	0.614
Compatible with Grade2TV according to XP-C 90-483		No
Compatible with Grade3TV according to XP-C 90-483		No

Approvals

North America Certification		UL listed, CSA certified
Specially designed for North America		No

Dimensions



Additional product information (links)

SmartWire-DT product range catalog	http://ecat.moeller.net/flip-cat/?edition=SWKAT&startpage=Titel
f1=1457&f2=1181&f3=1530;Download Wizard SWD-ASSIST	http://applications.eaton.eu/sdlc?LX=11&amp
Product overview WEB)	http://www.eaton.eu/swd