



Interface, ethernet communication, LAN

Part no. CCIA-02/01
Catalog No. 155447

EL-Nummer (Norway) 4560700

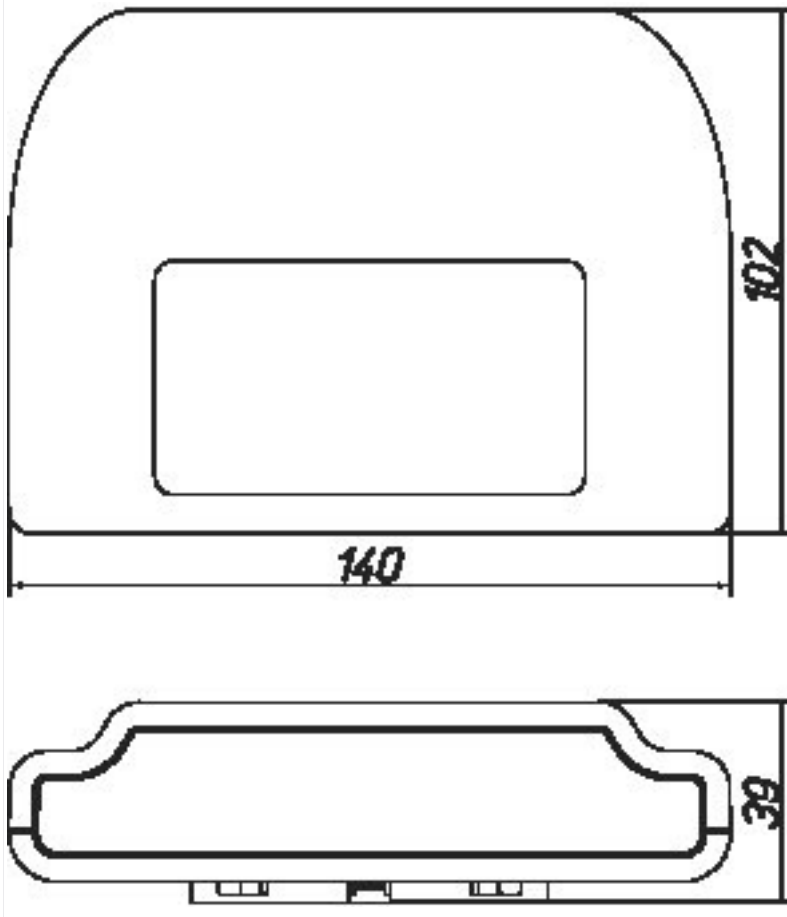
Delivery program

Product Type		Interface
Mounting type		Surface mounted
Power supply		Mains
Application		Interface

Technical data ETIM 8.0

Installation bus systems (EG000032) / System interface/media gateway for bus system (EC001099)		
Electric engineering, automation, process control engineering / Electrical installation, device / Bus system / System interface/media gateway for bus system (ecl@ss10.0.1-27-14-31-36 [AKE304014])		
Bus system KNX		No
Bus system KNX radio		No
Bus system radio frequent		Yes
Bus system LON		No
Bus system Powernet		No
Other bus systems		None
Radio frequent bidirectional		Yes
Model		LAN-systems interface
Mounting method		Surface mounted (plaster)
Width in number of modular spacings		0
Number of channels		99
Max. number of devices per channel		1
Demounting protection		No
With LED indication		Yes
Updateable		Yes
Operating voltage	V	5 - 5
Voltage type		DC
Power consumption	W	2.5
Protocol		TCP/IP
Provider dependent		No
Visualization		No
Web-Server		Yes
Radio interface		Yes
IR interface		No
Degree of protection (IP)		IP20

Dimensions



Additional product information (links)

(IL019059ZU)CCIA

(IL019059ZU)CCIA

https://es-assets.eaton.com/DOCUMENTATION/AWA_INSTRUCTIONS/MA136211168_2018_02.pdf