



1-way pushbutton, +LED, radio, 55x55 mm

Part no. CTAA-01/04-LED

Catalog No. 126032

EL-Nummer (Norway) 4560688

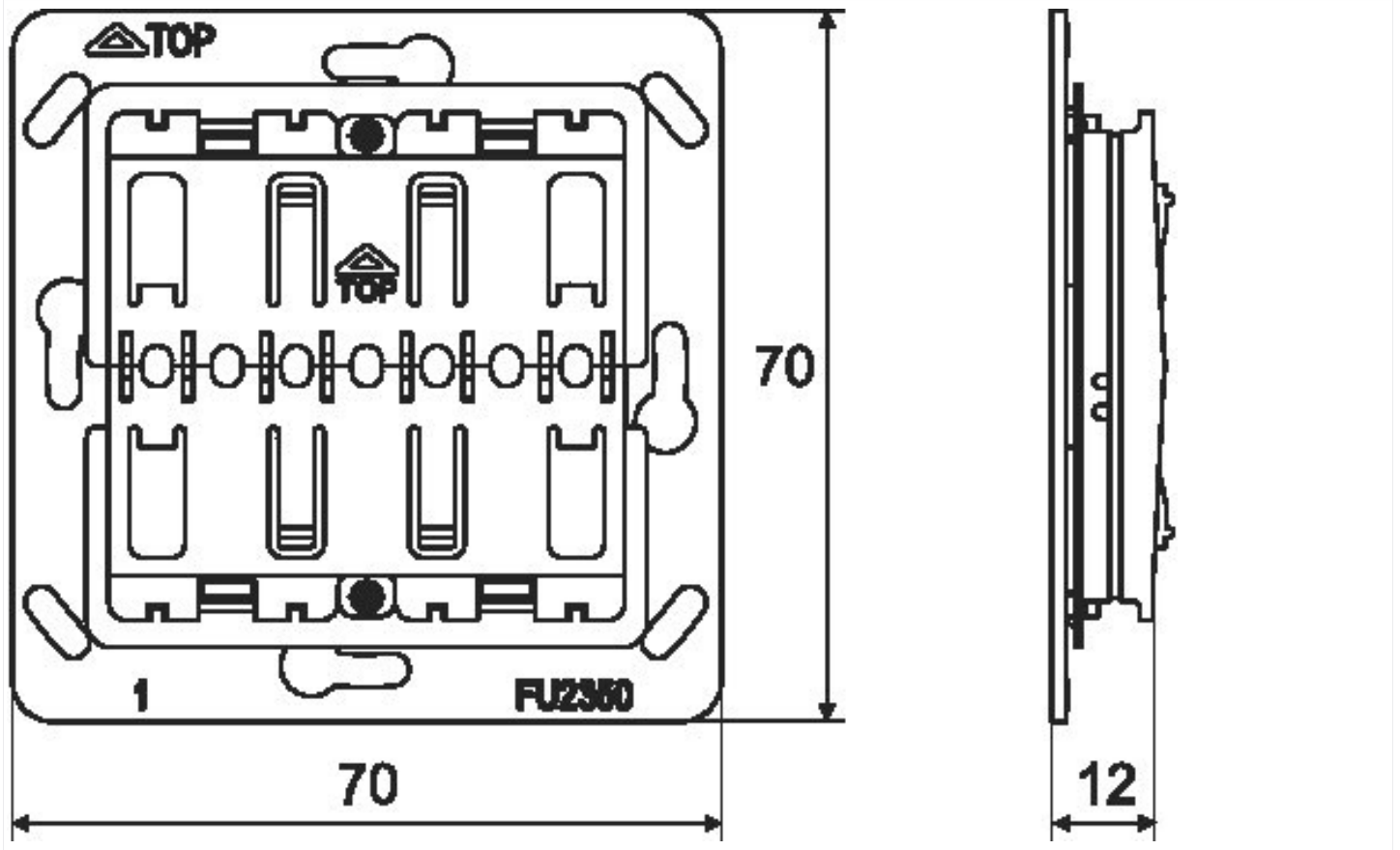
Delivery program

Product Type		Pushbutton
Mounting type		Surface mounted
Power supply		Battery
Pushbutton compatibility		55 mm (Universal)
Rocker Pitch		1-gang

Technical data ETIM 8.0

Installation bus systems (EG000032) / Hand-/wall sensor for bus system (EC001587)		
Electric engineering, automation, process control engineering / Electrical installation, device / Bus system / Hand/Wall sensor for bus system (ecl@ss10.0.1-27-14-31-48 [ACN429011])		
Bus system KNX		No
Bus system KNX radio		No
Bus system radio frequent		Yes
Bus system LON		No
Other bus systems		None
Radio frequent bidirectional		Yes
Mounting method		Surface mounted (plaster)
With bus connection		Yes
Model		Other
Number of channels		1
Material		Plastic
Material quality		Thermoplastic
Surface protection		Untreated
Surface finishing		Matt
Colour		Grey
RAL-number (similar)		7035
Transparent		No

Dimensions



Additional product information (links)

(IL019054ZU)CTAA

(IL019054ZU)CTAA

https://es-assets.eaton.com/DOCUMENTATION/AWA_INSTRUCTIONS/MA136211162_2017_07.pdf

(IL019054ZU)CTAA

https://es-assets.eaton.com/DOCUMENTATION/AWA_INSTRUCTIONS/MA136211162_2018_01.pdf