



Flat cable, SmartWire-DT, 3 m, 8-Pole, prefabricated with 2 blade terminals SWD4-8MF2



Part no. SWD4-3LF8-24-2S
Catalog No. 116027

EL-Nummer (Norway) 4519784

Similar to illustration

Delivery program

Product range		SmartWire-DT accessories
Basic function		SWD ribbon cable
Function		For connecting the SmartWire-DT modules within the control panel
Description		8 pole prefabricated with two blade terminals SWD4-8MF2
Length	m	3
Note regarding length		1 off
Connection to SmartWire-DT		yes
For use with		EU5C-SWD... EU5E-SWD... M22-SWD... DIL-SWD...
Protection type (IEC/EN 60529, EN50178, VBG 4)		IP20

Technical data

General

Approvals		UL CSA
-----------	--	-----------

Ambient conditions, mechanical

Protection type (IEC/EN 60529, EN50178, VBG 4)		IP20
--	--	------

Climatic environmental conditions

Operating ambient temperature (IEC 60068-2)	°C	
Operating ambient temperature max.	°C	+ 55
Condensation		Take appropriate measures to prevent condensation
Relative humidity, non-condensing (IEC/EN 60068-2-30)	%	5 - 95

Design verification as per IEC/EN 61439

Technical data for design verification		
Operating ambient temperature min.	°C	-25
Operating ambient temperature max.	°C	55
Degree of Protection		IP20
IEC/EN 61439 design verification		
10.2 Strength of materials and parts		
10.2.2 Corrosion resistance		
Meets the product standard's requirements.		
10.2.3.1 Verification of thermal stability of enclosures		
Meets the product standard's requirements.		
10.2.3.2 Verification of resistance of insulating materials to normal heat		
Meets the product standard's requirements.		
10.2.3.3 Verification of resistance of insulating materials to abnormal heat and fire due to internal electric effects		
Meets the product standard's requirements.		
10.2.4 Resistance to ultra-violet (UV) radiation		
Meets the product standard's requirements.		
10.2.5 Lifting		
Does not apply, since the entire switchgear needs to be evaluated.		
10.2.6 Mechanical impact		
Does not apply, since the entire switchgear needs to be evaluated.		
10.2.7 Inscriptions		
Meets the product standard's requirements.		
10.3 Degree of protection of ASSEMBLIES		
Meets the product standard's requirements.		
10.4 Clearances and creepage distances		
Meets the product standard's requirements.		
10.5 Protection against electric shock		
Does not apply, since the entire switchgear needs to be evaluated.		
10.6 Incorporation of switching devices and components		
Does not apply, since the entire switchgear needs to be evaluated.		
10.7 Internal electrical circuits and connections		
Is the panel builder's responsibility.		

10.8 Connections for external conductors		Is the panel builder's responsibility.
10.9 Insulation properties		
10.9.2 Power-frequency electric strength		Is the panel builder's responsibility.
10.9.3 Impulse withstand voltage		Is the panel builder's responsibility.
10.9.4 Testing of enclosures made of insulating material		Is the panel builder's responsibility.
10.10 Temperature rise		The panel builder is responsible for the temperature rise calculation. Eaton will provide heat dissipation data for the devices.
10.11 Short-circuit rating		Is the panel builder's responsibility.
10.12 Electromagnetic compatibility		Is the panel builder's responsibility.
10.13 Mechanical function		The device meets the requirements, provided the information in the instruction leaflet (IL) is observed.

Technical data ETIM 8.0

Cables (EG000001) / Data and communication cable (EC003249)

Electric engineering, automation, process control engineering / Cable, wire / Communication cable / Data and communication cable (copper) (ec@ss10.0.1-27-06-18-01 [AKE197014])

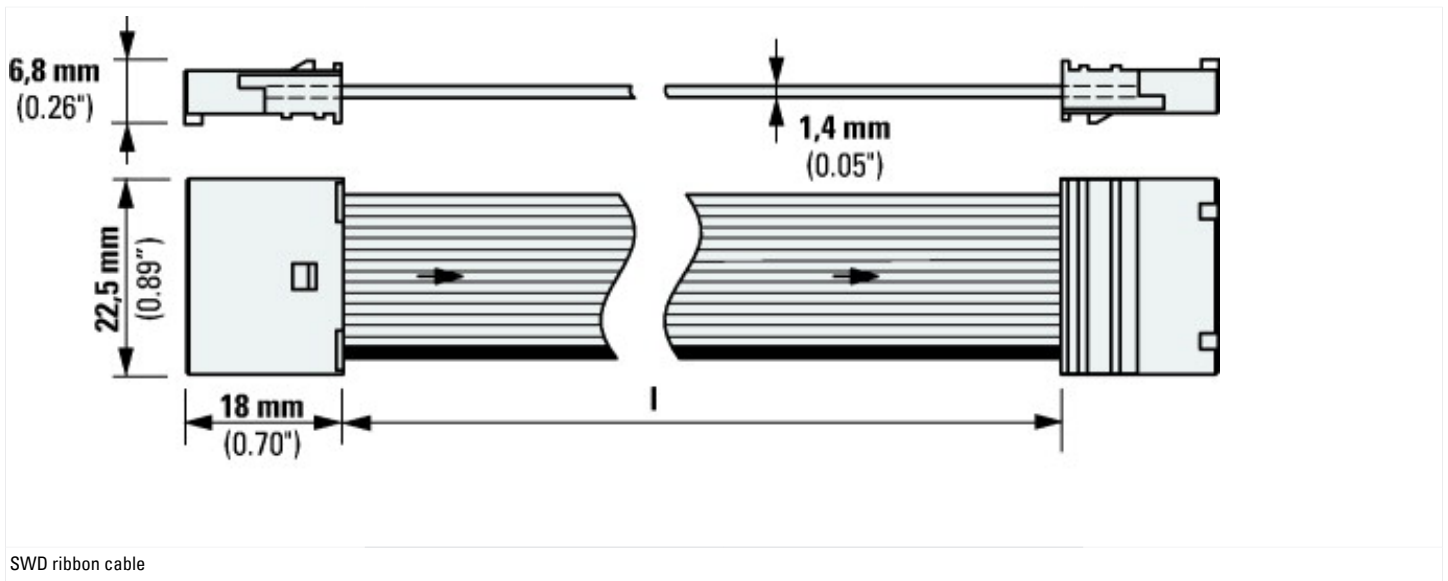
Conductor material		Other
Conductor surface		Tinned
Diameter conductor	mm	1.35
Nominal cross section conductor	mm ²	0.23
AWG size		24
Conductor category		Class 2 = stranded
Number of cores		8
Number of stranding elements		0
Stranding element		No
Material core insulation		Polyvinyl chloride (PVC)
Specification core insulation		Other
Core identification according to HD 308 S2		
Core identification		Colour
Screen over stranding element		None
Stranding		Other
Screen over stranding		None
Longitudinal water blocking cable		No
Radial water blocking cable		No
Suitable for underground installation		No
Approved type of underground installation		Other
Protective sheath		Other
Material outer sheath		Polyvinyl chloride (PVC)
Specification material outer sheath		Other
Colour outer sheath		Green
Armouring/reinforcement		None
Material reinforcement		
Cable geometry		Flat
Reaction-to-fire class according to EN 13501-6		None
Smoke development class according to EN 13501-6		None
Euro class flaming droplets/particles according to EN 13501-6		None
Euro class acidity according to EN 13501-6		None
Halogen free (according to EN 60754-1/2)		No
Halogen free (according to IEC 60754-2)		No
Flame retardant		According to IEC/EN 60332-1-2
Low smoke (according to EN 61034-2)		No
Low smoke (according to IEC 61034-2)		No
Oil resistant (according to EN 60811-404)		No
Oil resistant (according to IEC 60811-404)		No
Insulation integrity according to IEC 60331		No
Circuit integrity		None
Outer diameter approx.	mm	17.5

Min. permitted bending radius, moving application with forced guidance	mm	15
Min. permitted bending radius, moving application/free movement	mm	15
Min. permitted bending radius, stationary application/permanent installation	mm	7.5
Permitted cable outer temperature during assembling/handling	°C	-10 - 105
Permitted cable outer temperature after assembling without vibration	°C	-30 - 105
Category		Other
NVP value	%	66.7
UV resistant		No
Certified for shipboard application		No
Segregation class according to EN 50174-2		
Suitable as telephone cable		No
Suitable as computer data cable		No
Suitable as signalling cable		Yes
Weight	kg/km	0.11
Compatible with Grade2TV according to XP-C 90-483		No
Compatible with Grade3TV according to XP-C 90-483		No

Approvals

UL File No.		E29184
UL Category Control No.		NKCR
CSA File No.		2324643
CSA Class No.		3211-07
North America Certification		UL listed, CSA certified
Specially designed for North America		No

Dimensions



Additional product information (links)

SmartWire-DT product range catalog	http://ecat.moeller.net/flip-cat/?edition=SWKAT&startpage=Titel
f1=1457&f2=1181&f3=1530;Download Wizard SWD-ASSIST	http://applications.eaton.eu/sdlc?LX=11&amp
Product overview WEB)	http://www.eaton.eu/swd