



Connection terminal, 400A, 4p, flat/round

Part no. **K240/4**

Catalog No. **041628**

EL-Nummer (Norway) **4132419**

Delivery program

Product range			General switchboard accessories
Product function			Accessories panel building
Accessories			Terminations
Accessories			Terminals, 160 – 1000 A
Rated insulation voltage	U _i	V AC	1000
Description			Including labels for terminal marking U, V, W - X, Y, Z - L1, L2, L3 - T1, T2, T3 - PE, N, PEN, Relationship of rated operational current → terminal capacity to IEC/EN 60439, VDE 0660 Part 500 or EN 50021 Outer terminal for round or sectoral conductor, other side for Cu strip
Rated operational current	I _e	A	400
Pole			4

Terminal capacity

Cu/Al cable			<ul style="list-style-type: none"> Cu Round stranded Sectoral stranded Round solid Sectoral solid Al Round solid Sectoral solid
			<ul style="list-style-type: none"> 1 x 50 - 240 2 x 25 - 120
Al cable			<ul style="list-style-type: none"> Al Sectoral solid
			<ul style="list-style-type: none"> 1 x 95 - 185 2 x 50 - 95
Copper band		mm	6 x 16 x 0.8 - 10 x 16 x 0.8
			# copper strip
conductor			25 x 15
			Cu bar

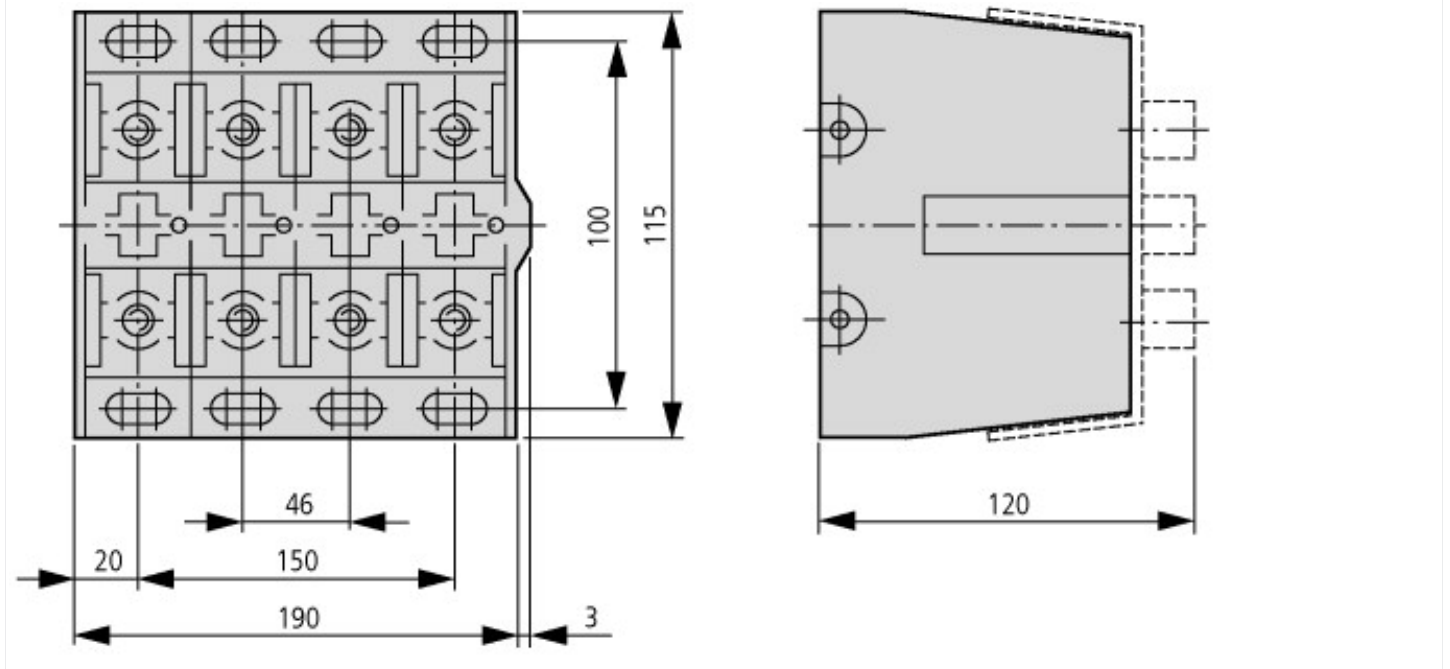
Notes Conversion kits for strip terminal in cable connection available separately
Terminal covers available separately

Technical data ETIM 6.0

Energy distribution systems (EG000015) / Rail terminal bar (EC000275)			
Electric engineering, automation, process control engineering / Electrical insulation and connecting material / Energy distribution system / Rail terminal bar clamp (ec1@ss8.1-27-40-06-03 [ACO369008])			
Number of poles			4
Connection type			Screwing
Number of connections < 6 mm ²			0
Number of connections 10 mm ²			0
Number of connections 16 mm ²			0
Number of connections 25 mm ²			0
Number of connections > 25 mm ²			8
Number of connections total			8
Mounting method			Screw

Height	mm	100
Width	mm	190
Depth	mm	115
Contact safe		Yes

Dimensions



Additional product information (links)

AWA3400-0608 Connection terminal K240/...

AWA3400-0608 Connection terminal K240/...

https://es-assets.eaton.com/DOCUMENTATION/AWA_INSTRUCTIONS/06081089.pdf