

**Spacer, size 1/2**

**Part no.** NZM1/2-XAB  
**Catalog No.** 260203

**EL-Nummer (Norway)** 4358741

**Delivery program**

Product range		Accessories
Accessories		Spacers
Standard/Approval		UL/CSA, IEC
Construction size		NZM1/2
Description		Enables fast and attractively priced offsetting of varying frame sizes with/without rotary handle or remote operator to the same front depth
For use with		NZM1(-4), PN1(-4), N(S)1(-4) NZM2(-4), PN2(-4), N(S)2(-4)
<b>Notes</b>		
Grid depth 17.5 mm, M4 thread		
Type contains 4 off spacer		
Maximum component capacity:		
NZM1: 4 units per fixing screw,		
NZM2: 2 units per fixing screw		
2 (NZM1) or 4 (NZM2) fixing screws contained per circuit-breaker		

**Design verification as per IEC/EN 61439**

IEC/EN 61439 design verification		
10.2 Strength of materials and parts		
10.2.2 Corrosion resistance		Meets the product standard's requirements.
10.2.3.1 Verification of thermal stability of enclosures		Meets the product standard's requirements.
10.2.3.2 Verification of resistance of insulating materials to normal heat		Meets the product standard's requirements.
10.2.3.3 Verification of resistance of insulating materials to abnormal heat and fire due to internal electric effects		Meets the product standard's requirements.
10.2.4 Resistance to ultra-violet (UV) radiation		Meets the product standard's requirements.
10.2.5 Lifting		Does not apply, since the entire switchgear needs to be evaluated.
10.2.6 Mechanical impact		Does not apply, since the entire switchgear needs to be evaluated.
10.2.7 Inscriptions		Meets the product standard's requirements.
10.3 Degree of protection of ASSEMBLIES		Does not apply, since the entire switchgear needs to be evaluated.
10.4 Clearances and creepage distances		Meets the product standard's requirements.
10.5 Protection against electric shock		Does not apply, since the entire switchgear needs to be evaluated.
10.6 Incorporation of switching devices and components		Does not apply, since the entire switchgear needs to be evaluated.
10.7 Internal electrical circuits and connections		Is the panel builder's responsibility.
10.8 Connections for external conductors		Is the panel builder's responsibility.
10.9 Insulation properties		
10.9.2 Power-frequency electric strength		Is the panel builder's responsibility.
10.9.3 Impulse withstand voltage		Is the panel builder's responsibility.
10.9.4 Testing of enclosures made of insulating material		Is the panel builder's responsibility.
10.10 Temperature rise		The panel builder is responsible for the temperature rise calculation. Eaton will provide heat dissipation data for the devices.
10.11 Short-circuit rating		Is the panel builder's responsibility. The specifications for the switchgear must be observed.
10.12 Electromagnetic compatibility		Is the panel builder's responsibility. The specifications for the switchgear must be observed.
10.13 Mechanical function		The device meets the requirements, provided the information in the instruction leaflet (IL) is observed.

**Technical data ETIM 8.0**

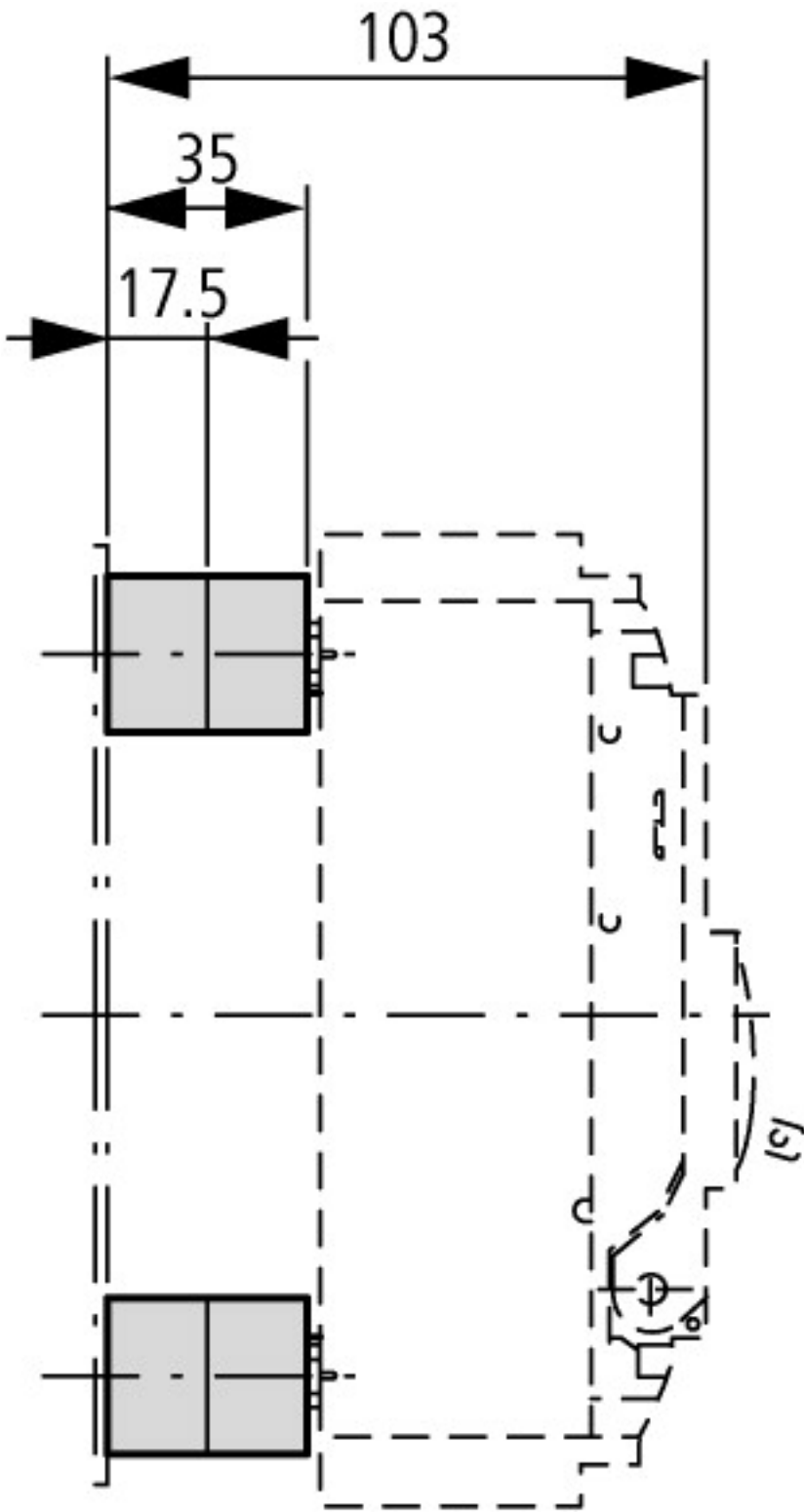
Fasteners (EG000049) / Spacer sleeve (EC002334)

Machine element, fixing, mounting / Fastening aids / Fastening aids (accessories) / Distance sleeve (ecl@ss10.0.1-23-15-92-02 [ADH976007])			
Material			Plastic
Material quality			Polyamide (PA)
Surface protection			Other
Inner diameter		mm	0
Outer diameter		mm	28
Length		mm	17.5

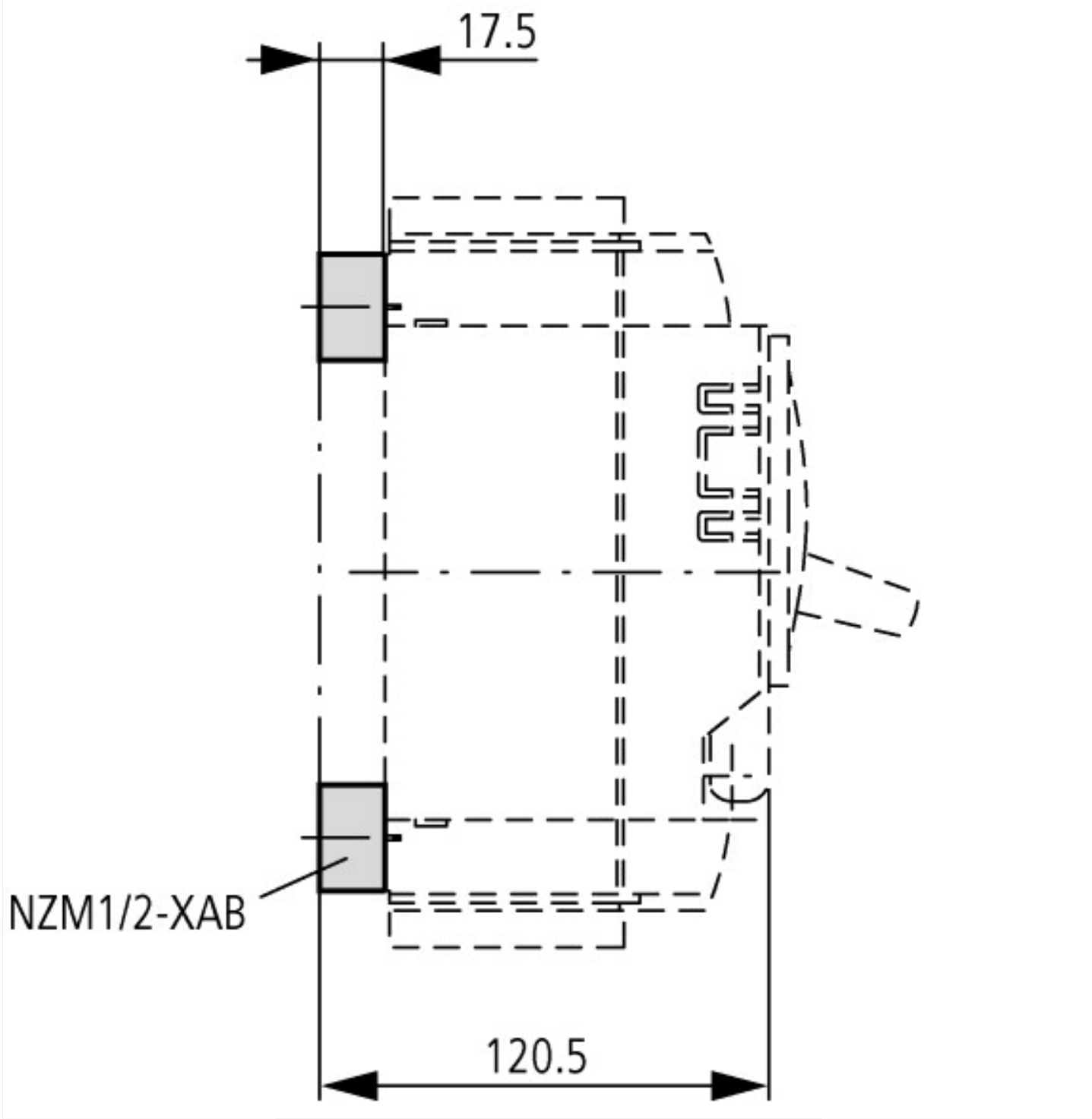
## Approvals

Product Standards			UL489; CSA-C22.2 No. 5-09; IEC60947, CE marking
UL File No.			E140305
UL Category Control No.			DIHS
CSA File No.			022086
CSA Class No.			1437-01
North America Certification			UL listed, CSA certified

## Dimensions



with NZM1, PN1, N1



with NZM2, PN2, N2

### Additional product information (links)

**IL01203002Z (AWA1230-1914) Shunt release, Undervoltage release, Early-make auxiliary contact**

IL01203002Z (AWA1230-1914) Shunt release, Undervoltage release, Early-make auxiliary contact

[https://es-assets.eaton.com/DOCUMENTATION/AWA\\_INSTRUCTIONS/IL01203002Z2010\\_11.pdf](https://es-assets.eaton.com/DOCUMENTATION/AWA_INSTRUCTIONS/IL01203002Z2010_11.pdf)